



## Application: Polaris RZR 1000 and XP900 Blow Hole Instructions

### KIT CONTENTS:

- 1 – Mountain Tek Blow Hole w/ Silicone Adaptor
- 1 – Clamp

Your exact application may not be shown but the location is very similar on all RZR's listed.

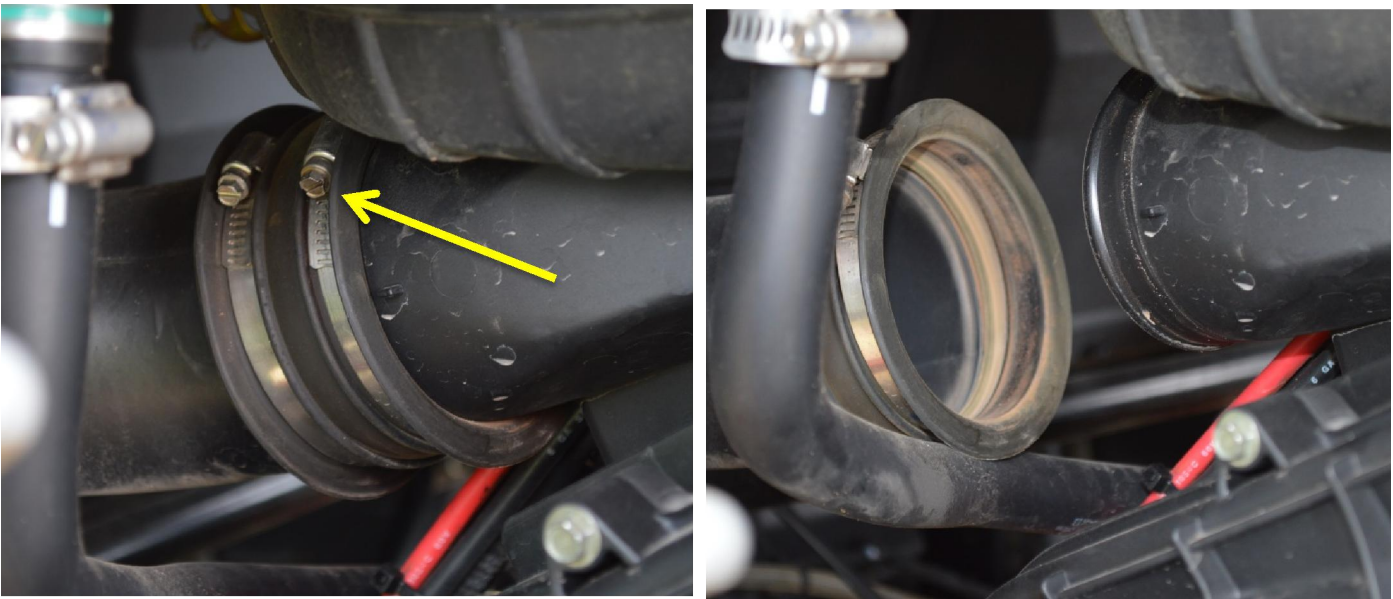
To Begin, loosen the clamp on the clutch **INTAKE** duct hose (the end closest to the clutch housing and nearest the front of the clutch housing) and remove from clutch housing.

RZR 1000 the duct will be pointing forward as shown.

XP900 is located in the front pointing UP.

RZR 900 TRAIL/XC/S is located in the front angled out the left side of the clutch housing.

## Figure 1

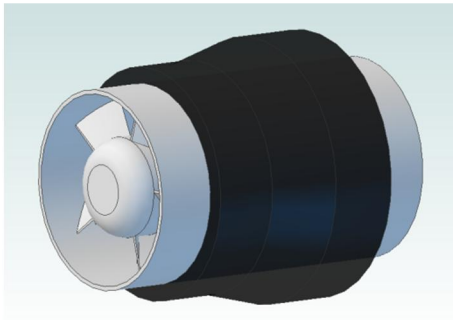
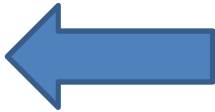


## Figure 2

Now install Blow Hole onto Clutch housing as shown. Tighten clamp. (Figure 2)



TO INTAKE DUCT



TO CLUTCH HOUSING

Then install intake duct hose onto Blow Hole assembly. Tighten clamp. (Figure 3)

## Figure 3



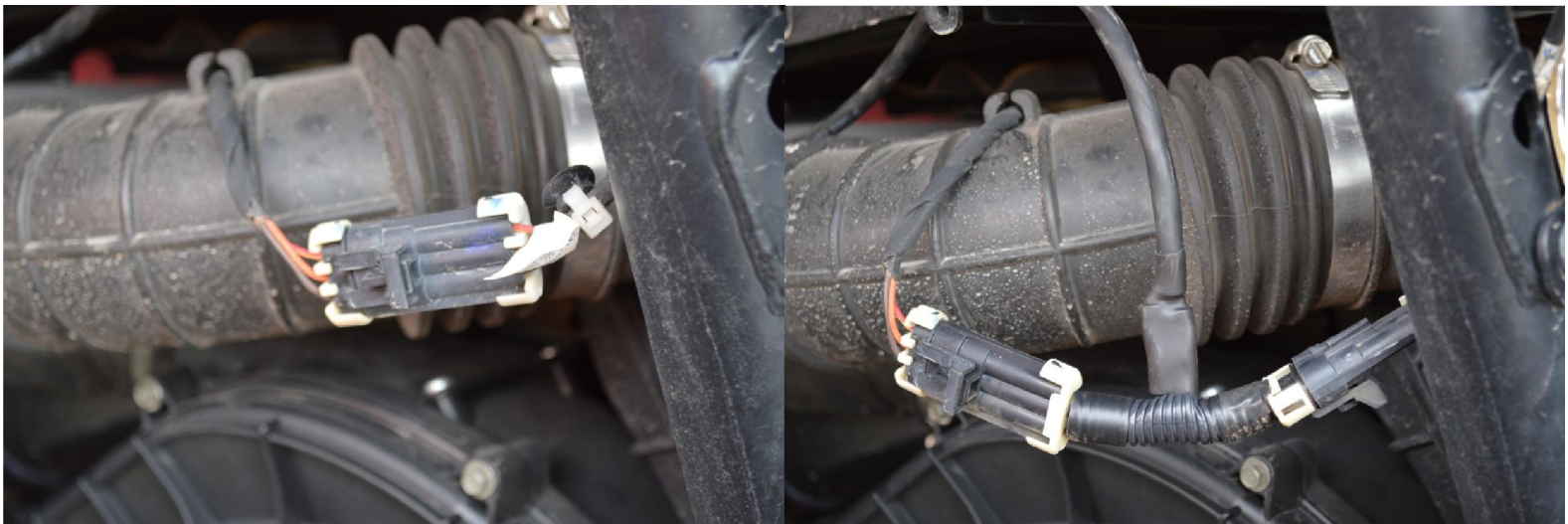
## Figure 4

Route wire behind the engine intake hose and up to bed support bracket as shown. (Figure 4)



Unplug tail light connector and plug in Blow Hole connector in line. (Figure 5) The Blow Hole will run anytime the key is in the "On" position and for a brief 15 second time frame that the ECU keeps the chassis relay powered up after shutdown. Properly secure wires and connectors with cable ties as needed to prevent damage.

## Figure 5



### **ATTENTION:**

\*We recommend you have a qualified service technician remove your clutch cover and inspect clutches/belt for any pre-existing problems. The Blow Hole cannot solve all belt/clutch heating problems, especially when a pre-existing condition due to worn or faulty parts is present. It is only used to aid in cooling clutches and belt.\*

For more information about installation, questions, or comments  
please call Mountain Tek Performance at:

**208-652-0122**